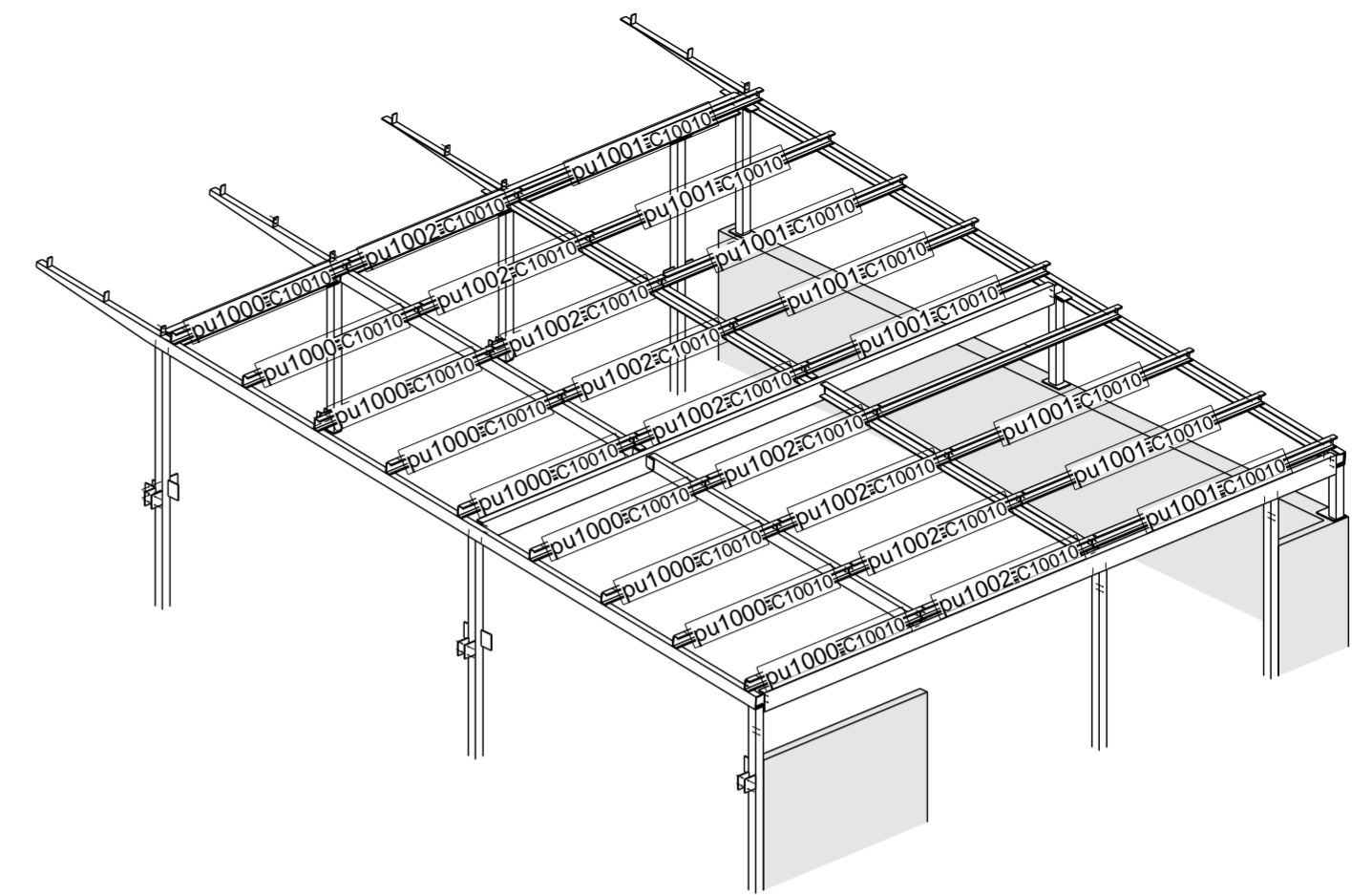
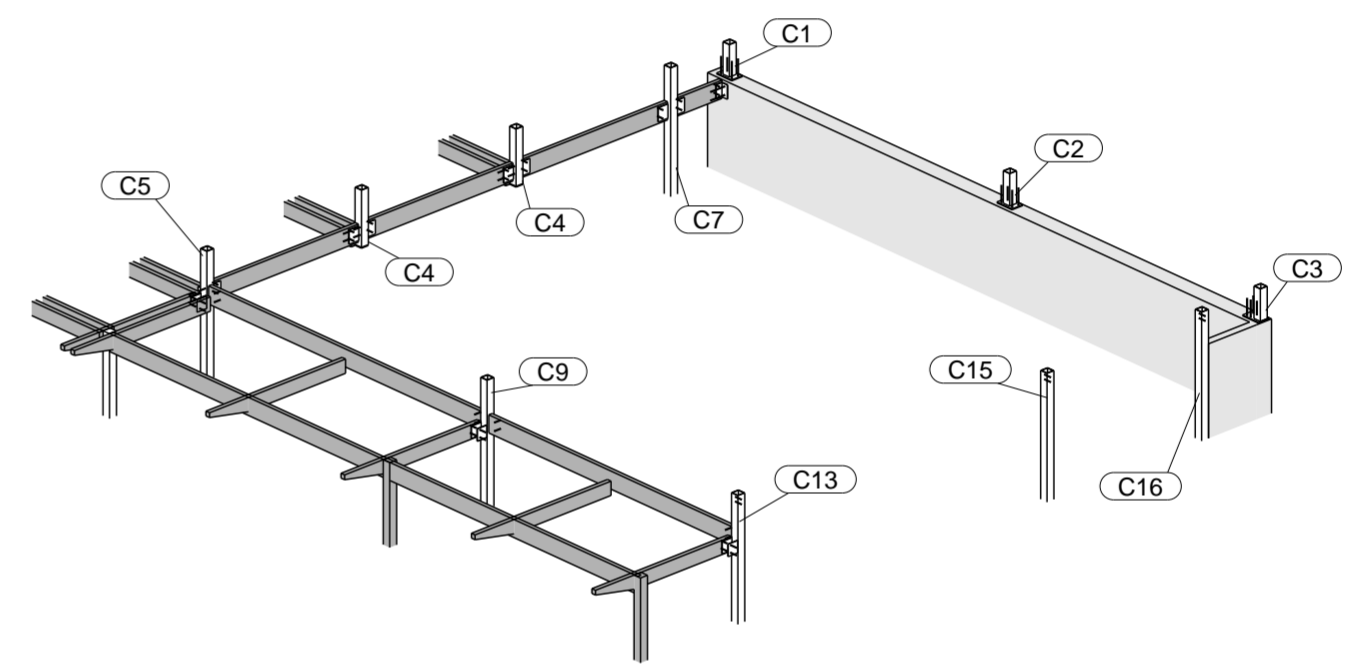


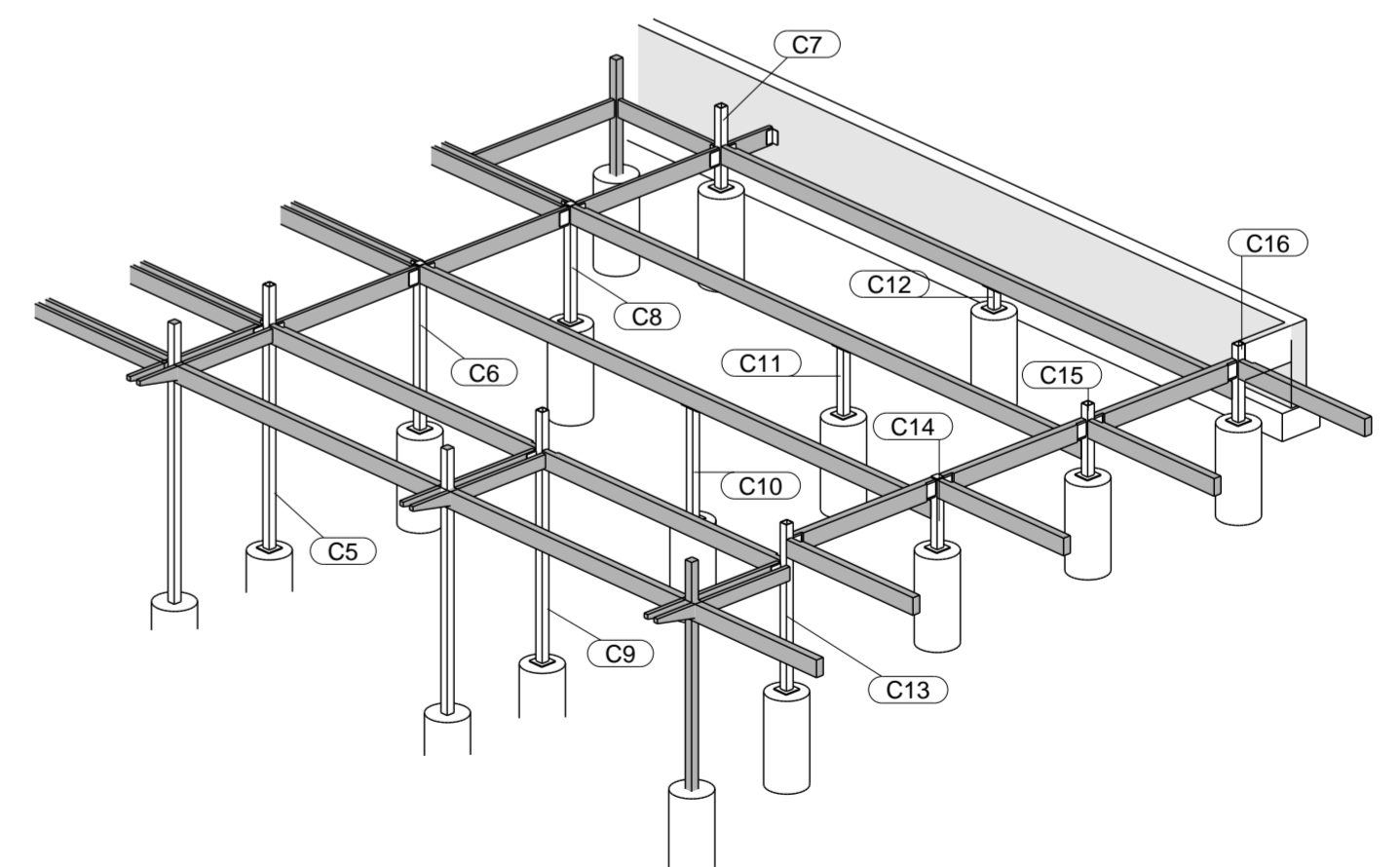
GENERAL 3D VIEW
NO TIMBER



PURLINS SETOUT



STEEL FRAMING RL+56.94



STEEL FRAMING RL+53.86

Erection Notes		REV	NAME	DATE	DESCRIPTION
		0		03/10/2019	ISSUED FOR FABRICATION
		B		24/09/2019	ISSUED FOR APPROVAL
		A		06/09/2019	ISSUED FOR APPROVAL

DRAWING TITLE: ISOMETRIC		ISSUE DATE:	APPROVAL SENT: 03/10/2019
CONTRACT: MAXWELL ST TURRAMURRA		CHECKED DATE: 03/10/2019	APPROVAL DATE:
MODELLED BY:		CREATED: 04/09/2019	CHECKED BY:
SCALE: 1:35	PROJECT No. NS19117 120	DRAWING No. GA001	REV. 0

